

Model: JSMA-PIH55A3KB

No.	Item	Symbol	Unit	Specification	No.	Item	Symbol	Unit	Specification
1	Drive	-	-	3 ϕ 220 VAC	13	Rotor Inertia	Jm	kg-cm ²	80.31 \pm 10%
2	Cooling Method	-	-	Totally Enclosed	14	Rated Power Rate	Q-R	Kw/s	158.15
3	Exciting Method	-	-	Permanent Magnet	15	Resistance	Ra	Ω	0.129 \pm 10% / 2 ϕ
4	Resolution	-	-	23 bit INC	16	Inductance	L	mH	3.2 \pm 10% / 2 ϕ
5	Rated Output	P-R	W	5500	17	Mech. Time Constant	Tm	ms	1.0 \pm 10%
6	Rated Torque	T-R	N-m	35.1	18	Elect. Time Constant	Te	ms	24.81 \pm 10%
7	Max. Torque	T-max	N-m	87.75	19	Insulation Class	-	-	Class F
8	Rated Speed	N-R	rpm	1500	20	Operation Temp.	T	$^{\circ}$ C	0~40
9	Rated Current	I-R	A	29.5	21	Operation Humd.	RH	%	<80
10	Max. Current	I-max	A	73.8	22	Storage Temp.	T	$^{\circ}$ C	-20~-60 $^{\circ}$
11	Torque Constant	Kt	N-n/A	1.19 \pm 10%	23	Storage Humd.	RH	%	<80
12	Voltage Constant	Ke	V/krpm	79 \pm 10%	24	Weight	W	kgw	31

Pin	Signal
A	U
B	V
C	W
D	FG

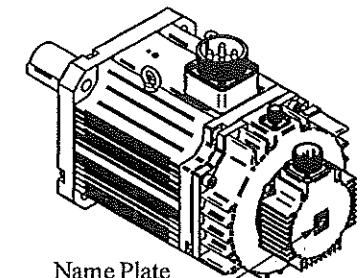
Motor Wiring

Pin	Mark
A	0
B	24V
C	

Brake Wiring

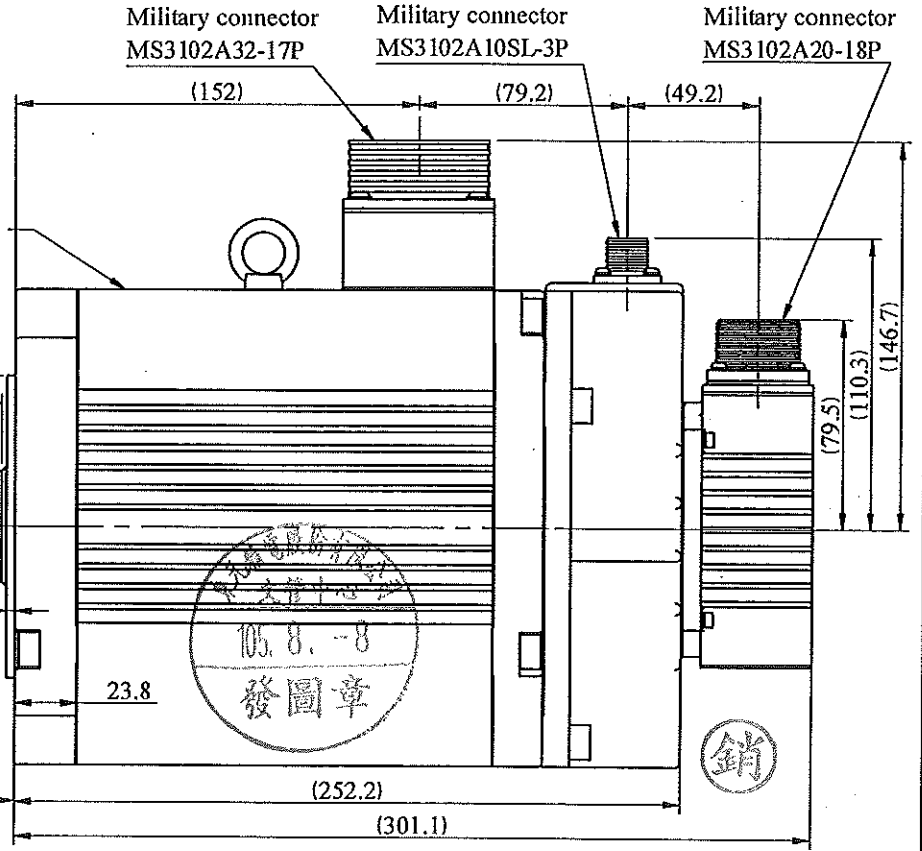
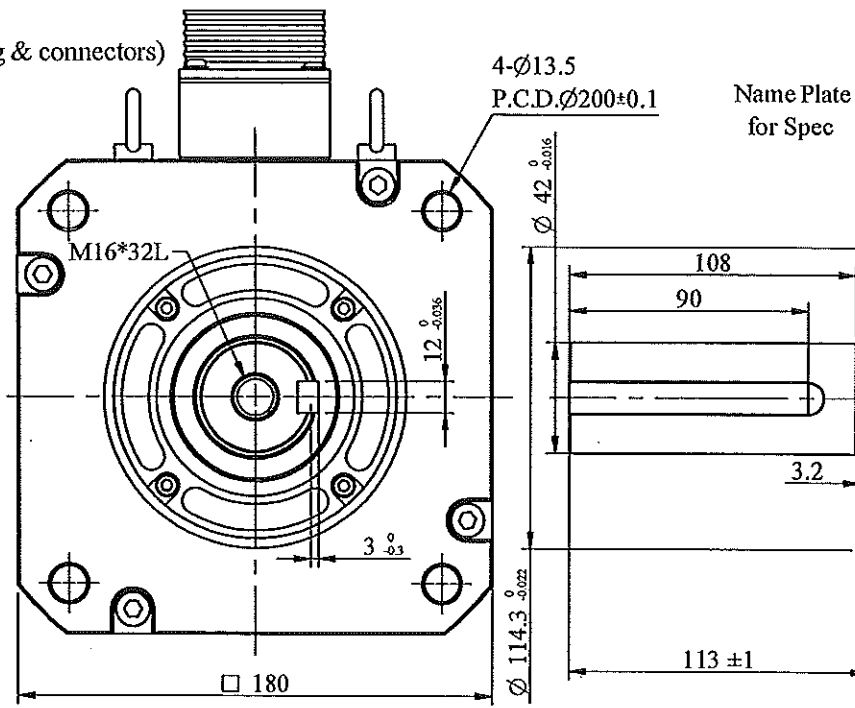
PIN	Signal
B	+5V
I	0V
A	
C	
H	SD+
D	SD-
G	
E	
F	FG

Encoder Wiring



Name Plate for Notice

NOTE:
Motor to be IP67.
(excluding the shaft opening & connectors)



Do not Hammer!
Name Plate for Notice

AC SERVO MOTOR

Model: JSMA-PIH55A3KB
Pr: 5.5 KW ; Nr: 1500 rpm
Ir: 29.5 A , Tr: 35.1 N-m

NO.

TECO ELECTRIC MACHINERY CO., LTD.
MADE IN TAIWAN

Name Plate for Spec

STANDARD TOLERANCE		APVD	CHKD	CHKD	DWN	SCALE	UNIT	mm	NAME
X	±0.5								Servo Motor Outline Drawing
.X	±0.2							JSMA-PIH55A3KB	
.XX	±0.05								
ANGLE	±30'								
MATERIAL	---	REV	DESCRIPTION	SIGNATURE	DATE	SIGNATURE	DATE		Dept. Design
									D01B18552H3BZAD01

